

Differential DSL Line Driver



The EL1508 is designed for driving full rate ADSL signals in both CO and CPE applications at very low power dissipation. The high drive capability of 450mA makes this driver ideal for both CAP and DMT designs. It contains two wideband, high-voltage, current mode feedback amplifiers with a number of power dissipation reduction features.

These drivers achieve an MTPR distortion measurement of better than 70dB, while consuming typically 6mA of total supply current. This supply current can be set using a resistor on the I_{ADJ} pin. Two other pins (C₀ & C₁) can also be used to adjust supply current to one of four pre-set modes (full-I_S, 2/3-I_S, 1/3-I_S, and full power-down). The EL1508 operates on ±5V to ±12V supplies and retains its bandwidth and linearity over the complete supply range.

The device is supplied in a thermally-enhanced 20-pin SO (0.300"), a thermally-enhanced 16-pin SO (0.150"), and the small footprint (4x5mm) 24-pin LPP packages. The EL1508 is specified for operation over the full -40°C to +85°C temperature range.

Features

- 450mA output drive capability
- 43.6V_{P-P} differential output drive into 100Ω
- 2nd/3rd harmonics of -85dBc/-75dBc
- MTPR of -70dB
- Operates down to 3mA per amplifier supply current
- Power control features
- Pin-compatible with EL1503

Applications

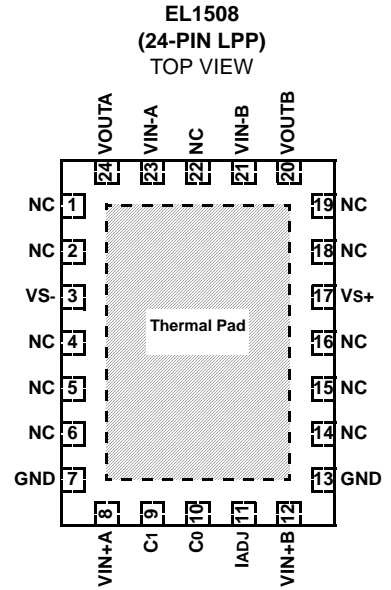
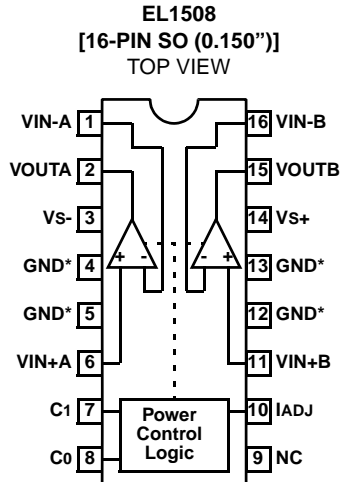
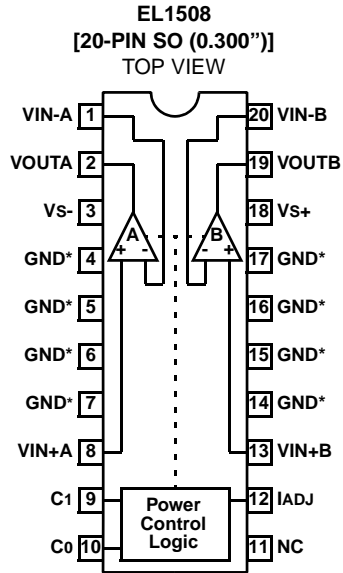
- ADSL line driver
- HDSL line driver
- Video distribution amplifier
- Video twisted-pair line driver

Ordering Information

PART NUMBER	PACKAGE	TAPE & REEL	PKG. NO.
EL1508CS	16-Pin SO (0.150")	-	MDP0027
EL1508CS-T7	16-Pin SO (0.150")	7"	MDP0027
EL1508CS-T13	16-Pin SO (0.150")	13"	MDP0027
EL1508CM	20-Pin SO (0.300")	-	MDP0027
EL1508CM-T13	20-Pin SO (0.300")	13"	MDP0027
EL1508CL	24-Pin LPP	-	MDP0046
EL1508CL	24-Pin LPP	7"	MDP0046
EL1508CL	24-Pin LPP	13"	MDP0046

Get FULL DATASHEET

Pinouts



*GND PINS ARE HEAT SPREADERS

All Intersil U.S. products are manufactured, assembled and tested utilizing ISO9000 quality systems.
Intersil Corporation's quality certifications can be viewed at www.intersil.com/design/quality

Intersil products are sold by description only. Intersil Corporation reserves the right to make changes in circuit design, software and/or specifications at any time without notice. Accordingly, the reader is cautioned to verify that data sheets are current before placing orders. Information furnished by Intersil is believed to be accurate and reliable. However, no responsibility is assumed by Intersil or its subsidiaries for its use; nor for any infringements of patents or other rights of third parties which may result from its use. No license is granted by implication or otherwise under any patent or patent rights of Intersil or its subsidiaries.

For information regarding Intersil Corporation and its products, see www.intersil.com